

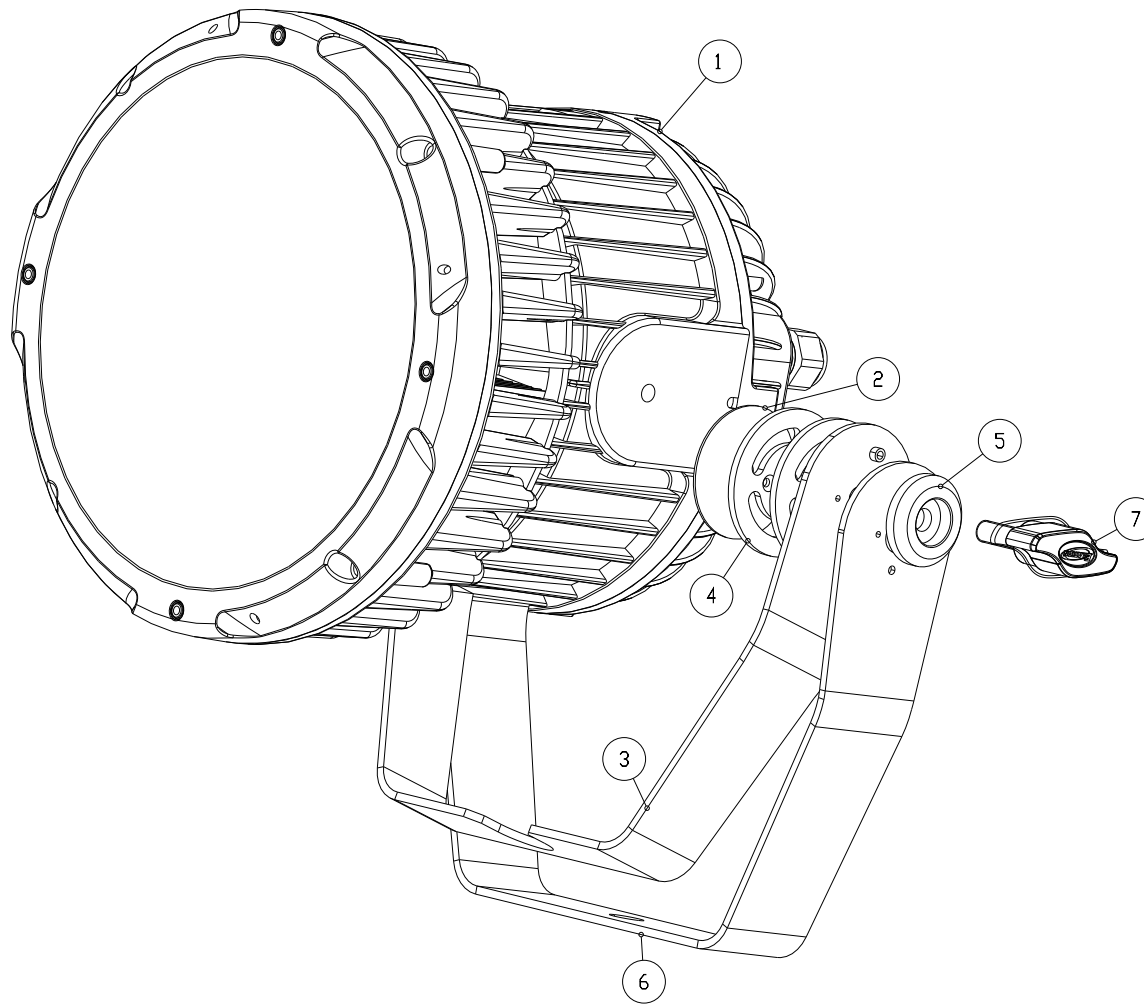
# Service manual

## ELAR 180 PAR RGBAW

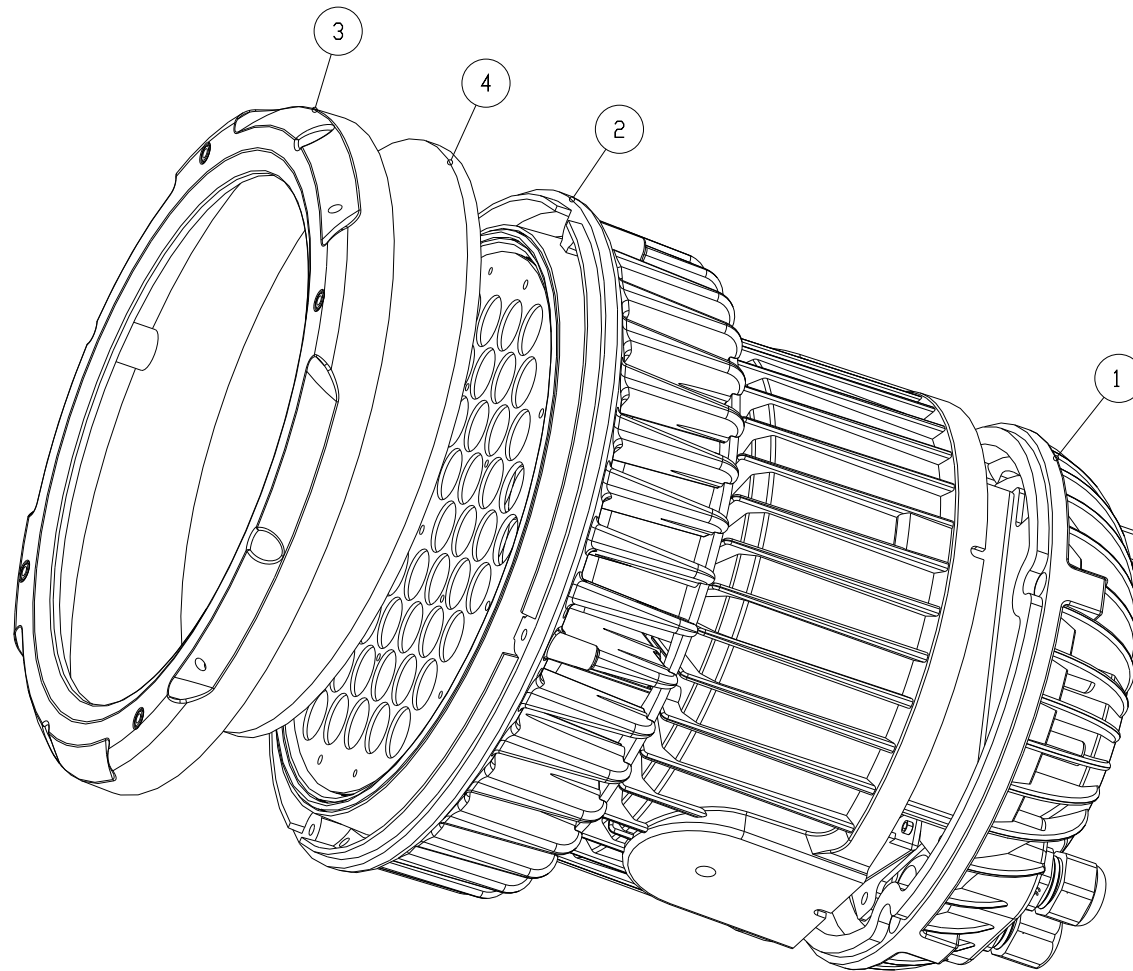
- ✘ **Exploded Diagrams**
- ✘ **Circuit Diagrams**
- ✘ **Wiring Diagrams**
- ✘ **Parts List**



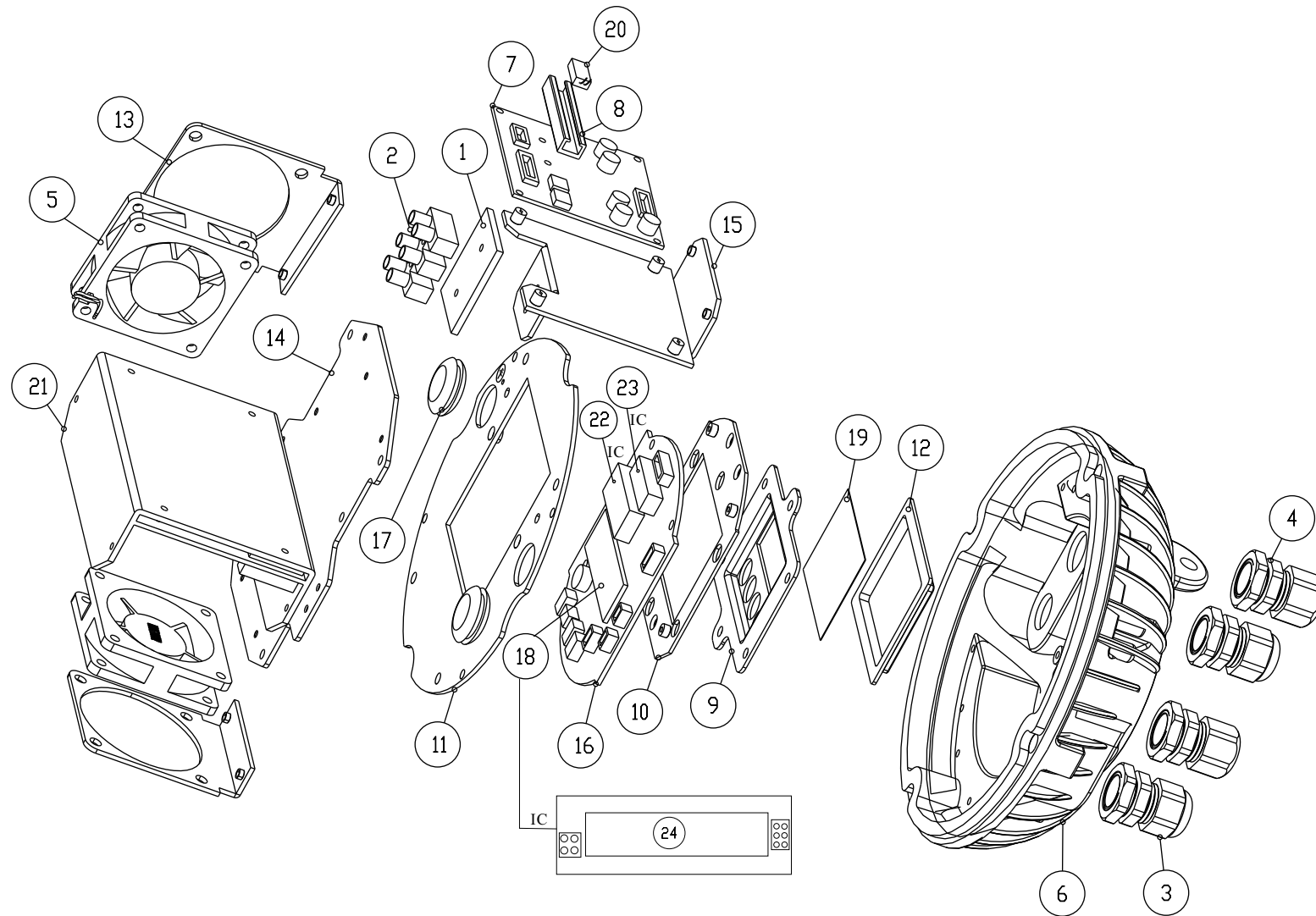
<b>PRODUCT</b>		ELAR 180 PAR RGBAW		
<b>PIC. NO.</b>		<b>Front Page</b>	Series No.	2016601 -2016800
EDIT		FILE NO.	HY-EXP-751A	
CHECK		ORDER NO.	SO20110062	
APPROVE		VERSION	NR	SOFTWARE VER. V1.0



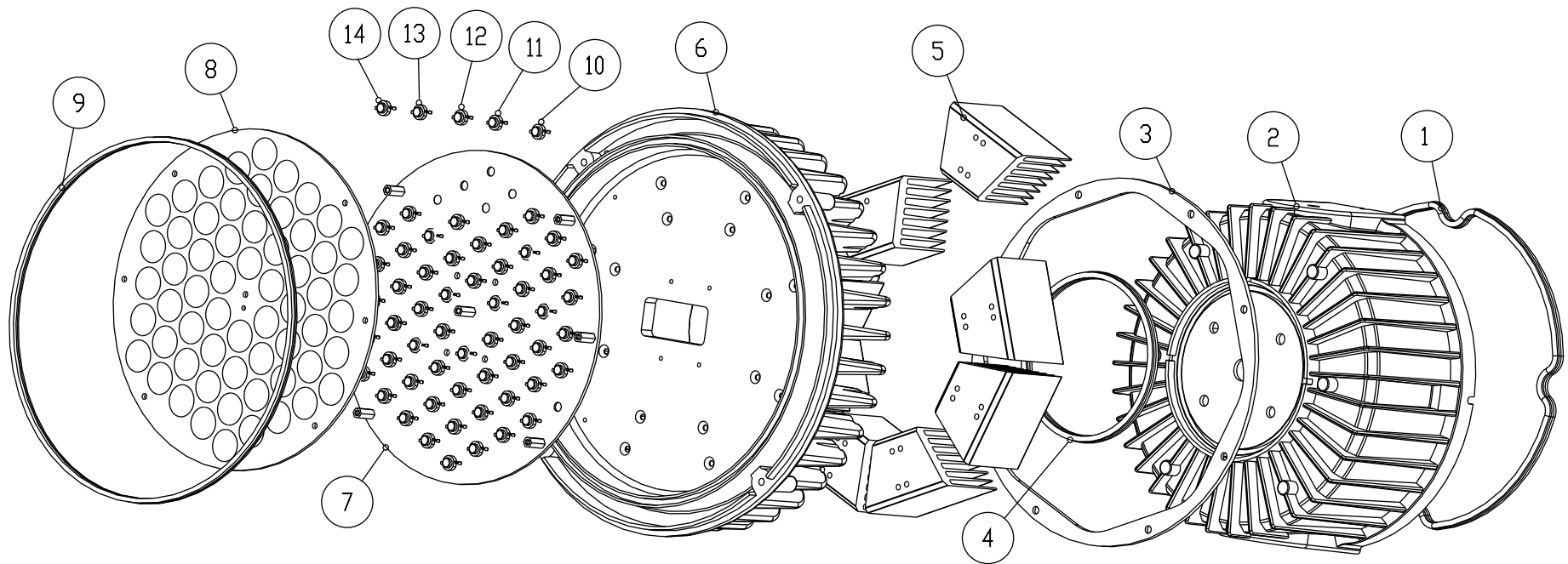
PRODUCT		ELAR 180 PAR RGBAW			
PIC. NO.		10-0124-00-00-00			
EDIT		FILE NO.	HY-EXP-715A	PAGE NO.	1/9
CHECK		VERSION	A	DATE	2011-3-28
APPROVE		ECN NO.		DATE	



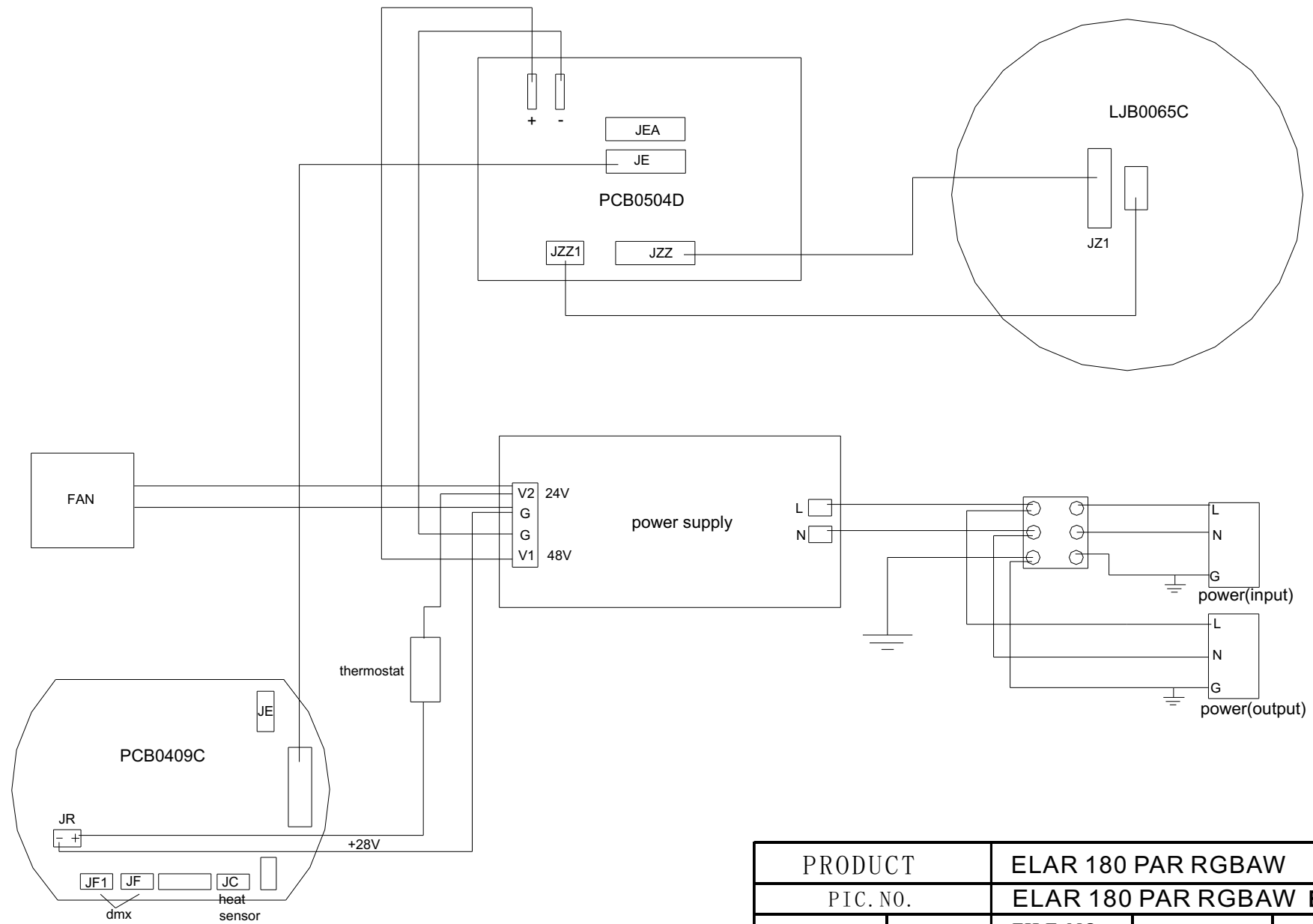
PRODUCT		ELAR 180 PAR RGBAW			
PIC. NO.		10-0124-01-00-00			
EDIT		FILE NO.	HY-EXP-715A	PAGE NO.	2/9
CHECK		VERSION	A	DATE	2011-3-28
APPROVE		ECN NO.		DATE	



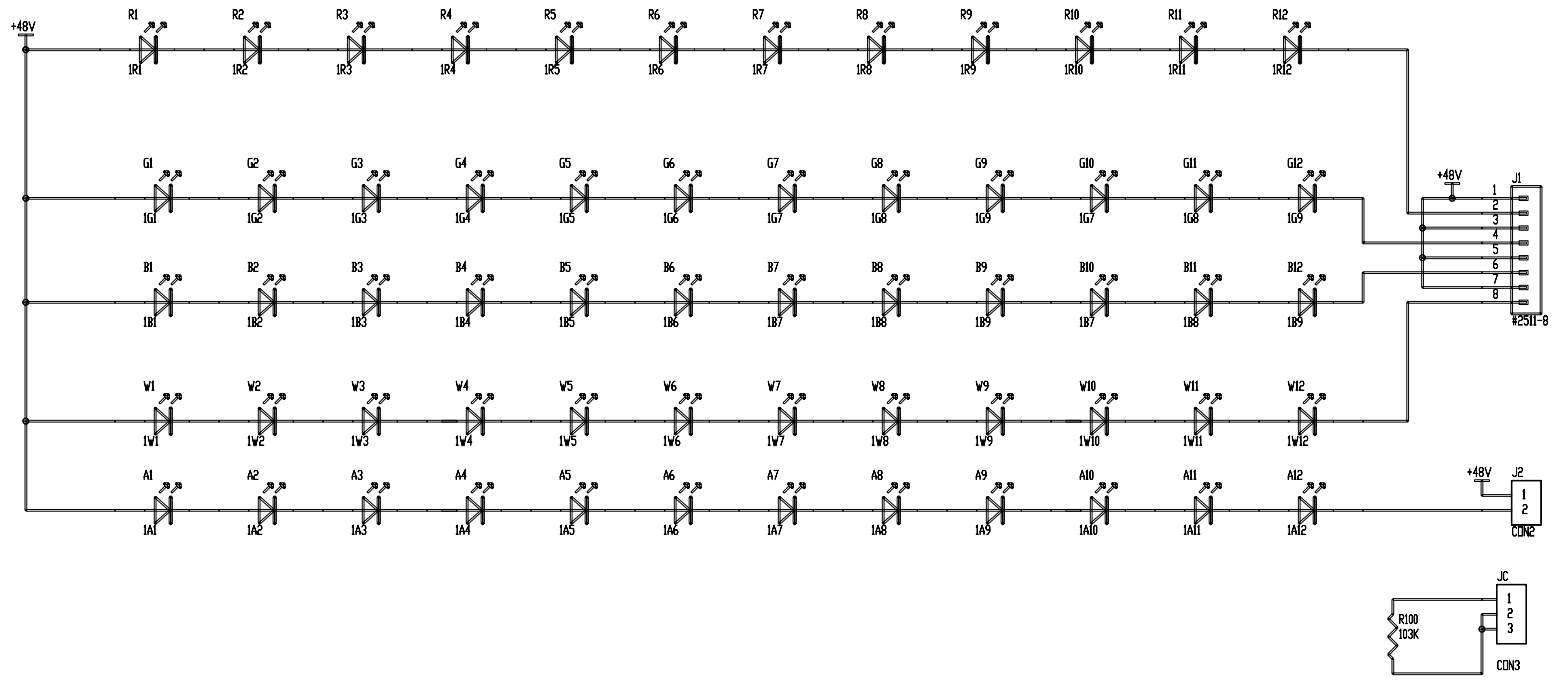
PRODUCT		ELAR 180 PAR RGBAW			
PIC. NO.		10-0124-01-01-00			
EDIT		FILE NO.	HY-EXP-715A	PAGE NO.	3/9
CHECK		VERSION	A	DATE	2011-3-28
APPROVE		ECN NO.		DATE	



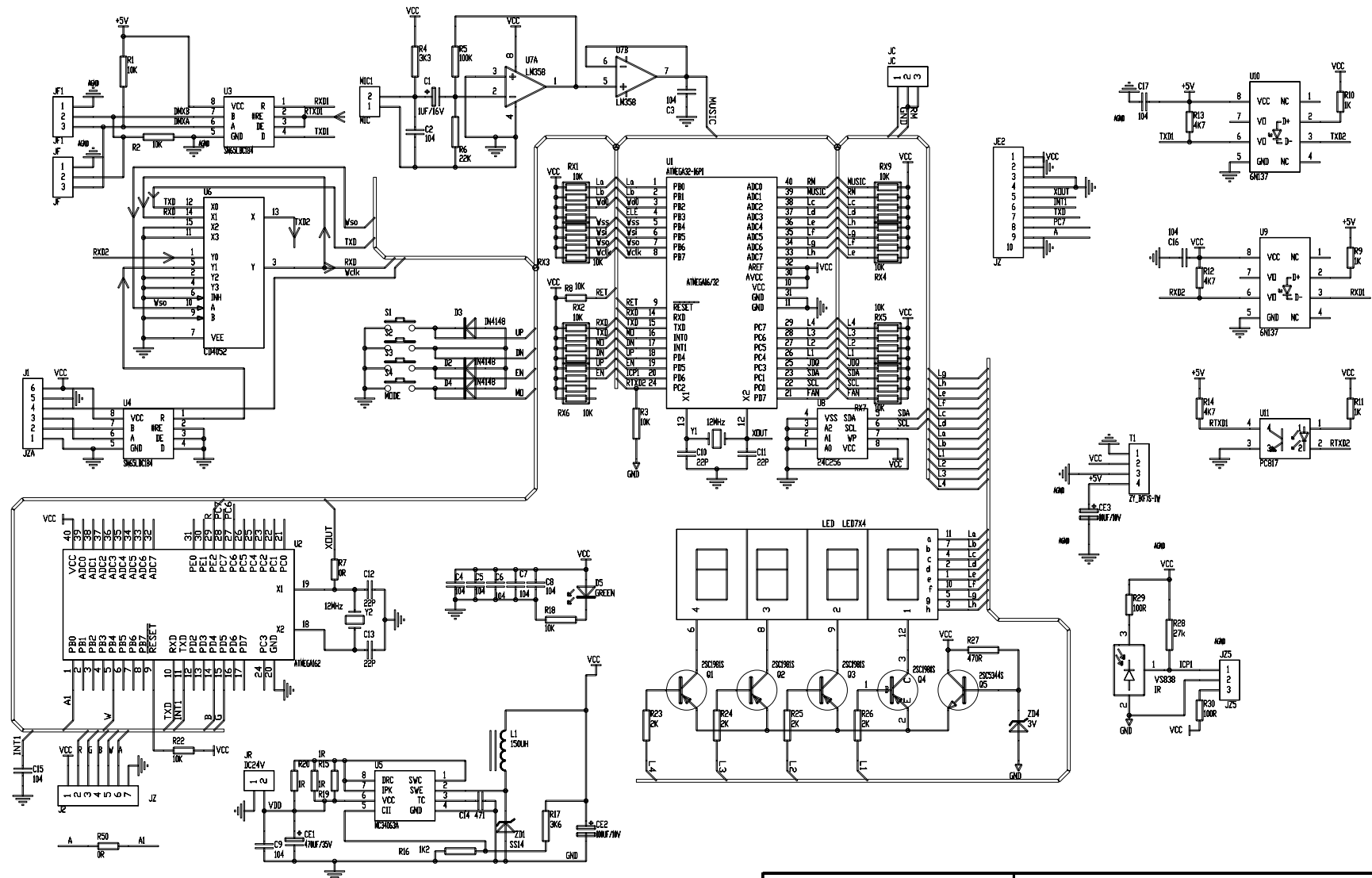
PRODUCT		ELAR 180 PAR RGBAW			
PIC. NO.		10-0124-01-02-00			
EDIT		FILE NO.	HY-EXP-715A	PAGE NO.	4/9
CHECK		VERSION	A	DATE	2011-3-28
APPROVE		ECN NO.		DATE	



PRODUCT		ELAR 180 PAR RGBAW			
PIC. NO.		ELAR 180 PAR RGBAW ELECTRIC			
EDIT		FILE NO.	HY-WIJL-G083	PAGE NO.	5/9
CHECK		VERSION	A	DATE	2011.03.28
APPROVE		ECN NO.		DATE	

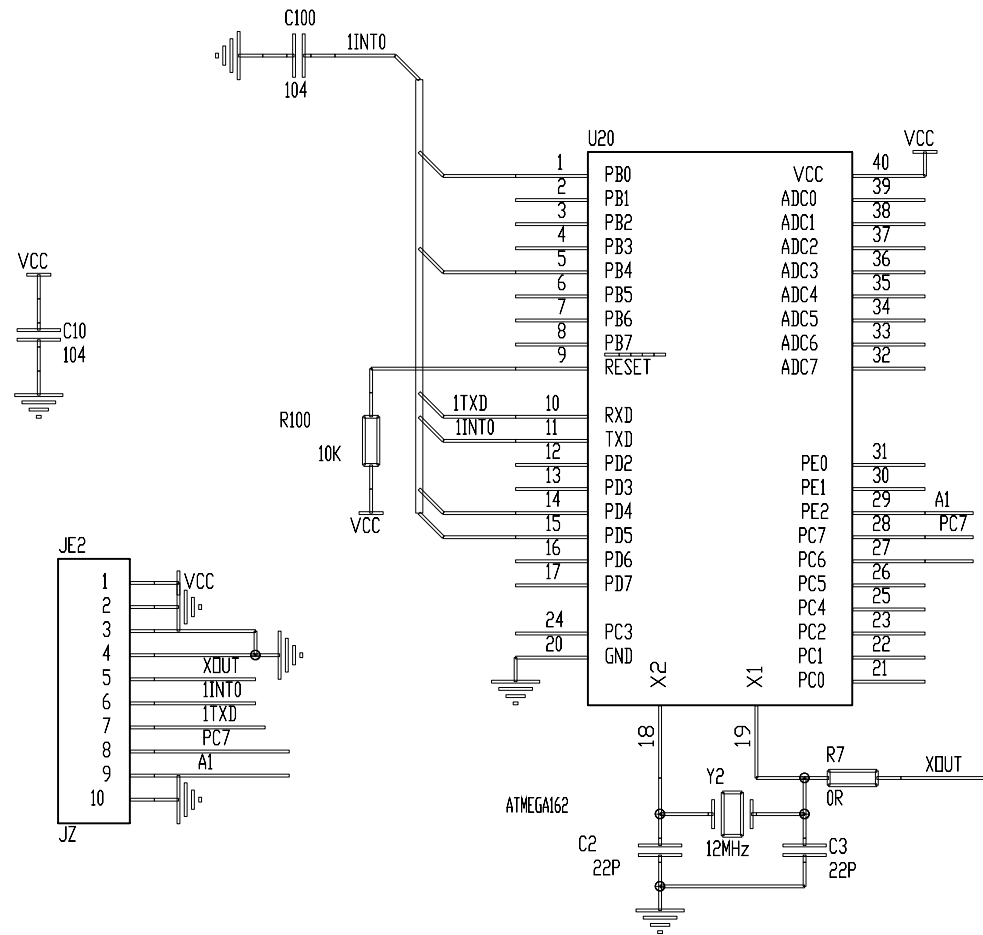


PRODUCT		ELAR 180 PAR RGBAW			
PIC. NO.		LJB0065C SCHEME			
EDIT		FILE NO.	HY-WIEC-0658	PAGE NO.	6/9
CHECK		VERSION	NR	DATE	2011.03.28
APPROVE		ECN NO.		DATE	

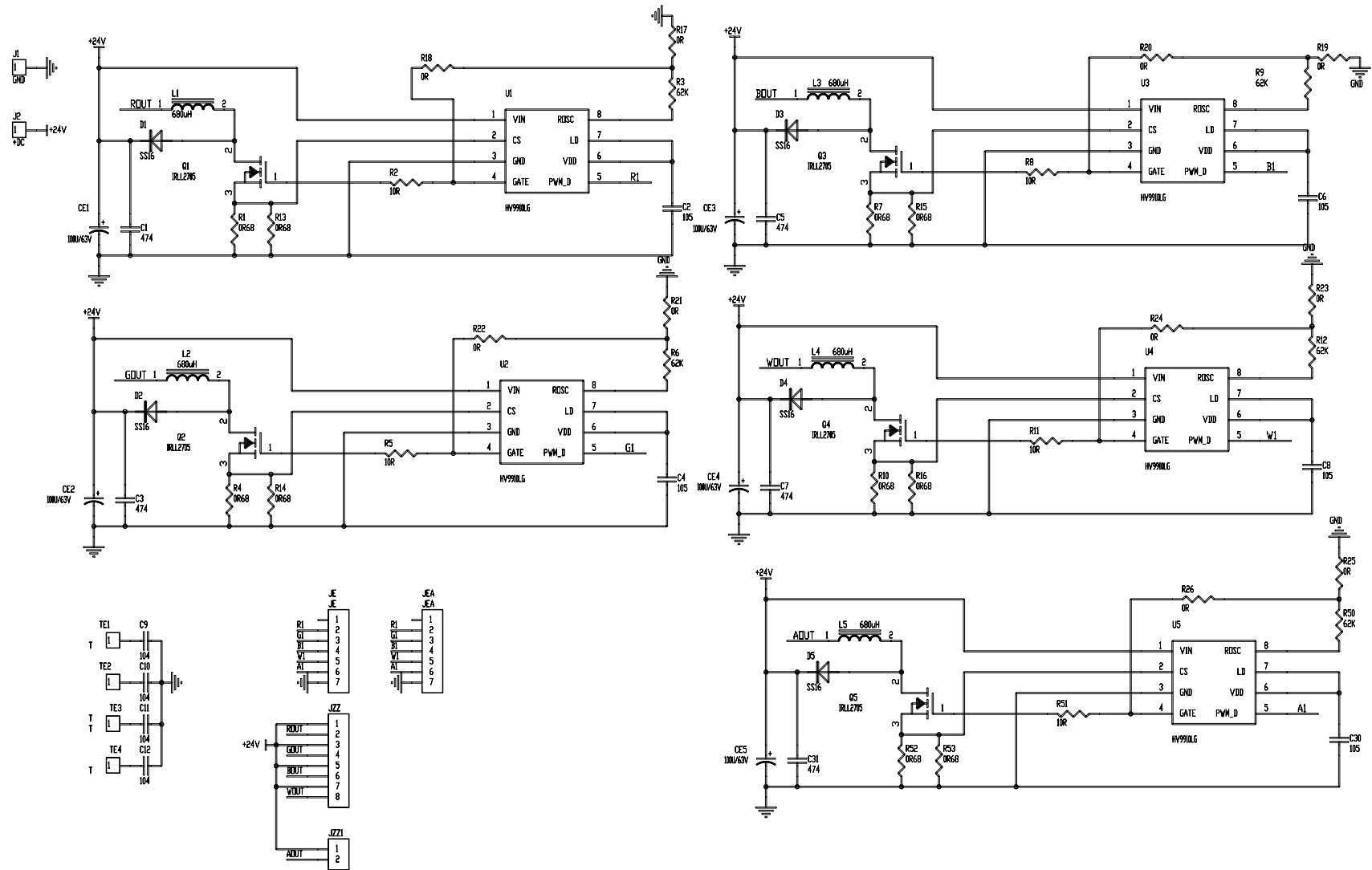


PRODUCT		ELAR 180 PAR RGBAW			
PIC. NO.		PCB0409C SCHEME			
EDIT		FILE NO.	HY-WIEC-0652	PAGE NO.	7/9
CHECK		VERSION	NR	DATE	2011.03.28
APPROVE		ECN NO.		DATE	





PRODUCT		ELAR 180 PAR RGBAW			
PIC. NO.		PCB0515B SCHEME			
EDIT		FILE NO.	HY-WIEC-0657	PAGE NO.	8/9
CHECK		VERSION	NR	DATE	2011.03.28
APPROVE		ECN NO.		DATE	



PRODUCT		ELAR 180 PAR RGBAW			
PIC. NO.		PCB0504D SCHEME			
EDIT		FILE NO.	HY-WIEC-0804	PAGE NO.	9/9
CHECK		VERSION	NR	DATE	2011.03.28
APPROVE		ECN NO.		DATE	